

# PEGA RACK AND PINION INDUSTRIAL ELEVATOR

PIONEER IN INNOVATION

QUALITY – RELIABILITY – USER FRIENDLY

- PEGA "PLC" - Programmable Landing Control for exact stop without floor ramps.
- PEGA "LDS" - Load Detection System for lower power consumption.
- PEGA "FIS" - Fault Indication System for simply fault identification.

## PEGA IL 3038 TD VFC

### TECHNICAL DATA

Payload capacity	kg	3000
Passengers		40
Speed	m/min	0-60
Lifting height	m	200
Tie spacing	m	10,5

### CAR DIMENSIONS

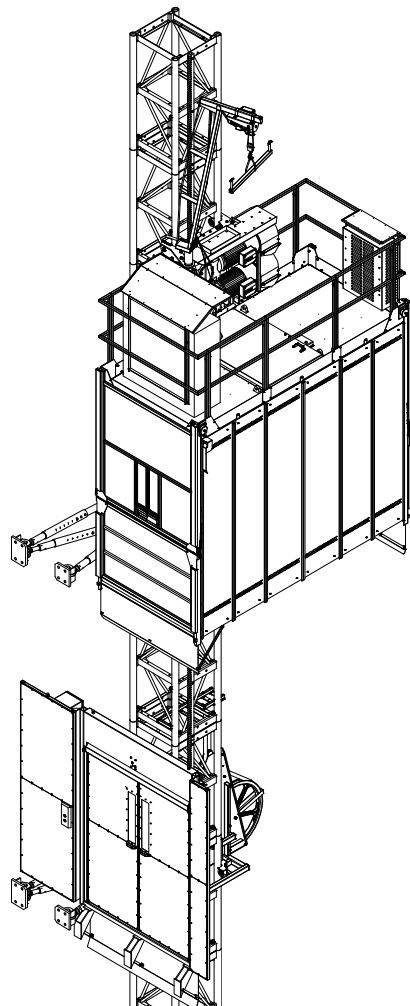
Internal width x length	m	1,5 x 3,8
Internal height	m	2,49
Door opening	m	1,43 x 2,0

### ELECTRICAL DATA

Power supply range	400V 50Hz 3Ph
Power supply fuse	250A
Motor machinery	PEGA/SEW
Starting current	189A
Power consumption	92kVA

### WEIGHTS

Car weight	kg	3300
Mast section „A“ with 1 rack	kg	125
Mast section length	m	1,508



### GENERAL

The lift is equipped with frequency controlled drive and programmable control system. Different masts and tie systems to meet all kind of application demands. Car and landing doors manual with electrical and mechanical inter-locks certified/approved. Single or selective collective automatic control system, emergency lowering system. The above specification may vary based on country and region of delivery.

**Norms and regulations:** EN 12159 or EN 81-1 (Directive 2006/42/EC)

### CONTROL SYSTEM

Push button control, floor call system.

CONSULT - SALE - SERVICE

#### PEGA HOIST Ltd.

Fáblovka 547  
CZ – 533 52 Pardubice  
Tel.: +420 466 536 348-50  
Fax.: +420 466 536 351  
E-mail: info@pega-hoist.com  
www.pega-hoist.com

PEGA  
SUCCESSFULLY  
COMPLETED THE  
WORLD HIGHEST  
BUILDING  
BURJ DUBAI



PEGA