

PEGA RACK AND PINION INDUSTRIAL ELEVATOR

PIONEER IN INNOVATION

QUALITY – RELIABILITY – USER FRIENDLY

- PEGA "PLC" - Programmable Landing Control for exact stop without floor ramps.
- PEGA "LDS" - Load Detection System for lower power consumption.
- PEGA "FIS" - Fault Indication System for simply fault identification.

PEGA IL 3241 TD VFC

TECHNICAL DATA

Payload capacity	lb	7100
Passengers		44
Speed	ft/min	0-200
Lifting height	ft	650
Tie spacing	ft	30

CAR DIMENSIONS

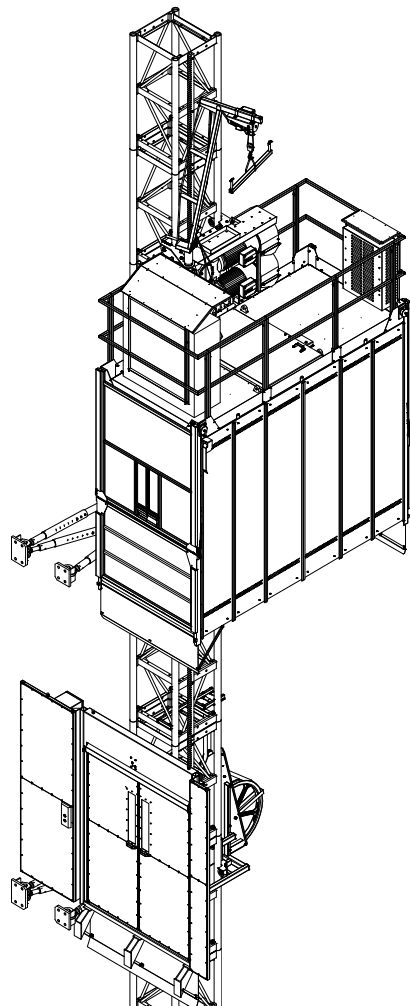
Internal width x length	4'-11" x 13'-5.4"
Internal height	8'-2"
Door opening	4'-8.3" x 6'-8"

ELECTRICAL DATA

Power supply range	480V 60Hz 3Ph
Power supply fuse	250A
Motor machinery	PEGA/SEW
Starting current	168A
Power consumption	99kVA

WEIGHTS

Car weight	lb	7495
Mast section A with 1 rack	lb	275
Mast section length		4'-11.4"



GENERAL

The lift is equipped with frequency controlled drive and programmable control system. Different masts and tie systems to meet all kind of application demands. Car and landing doors manual with electrical and mechanical inter-locks certified/approved. Single or selective collective automatic control system, emergency lowering system. The above specification may vary based on country and region of delivery.

Norms and regulations: ANSI A10.4 or ASME A17.1

CONTROL SYSTEM

Push button control, floor call system.

CONSULT - SALE - SERVICE

PEGA HOIST Ltd.

Fáblovka 547
CZ – 533 52 Pardubice
Tel.: +420 466 536 348-50
Fax.: +420 466 536 351
E-mail: info@pega-hoist.com
www.pega-hoist.com

PEGA
SUCCESSFULLY
COMPLETED THE
WORLD HIGHEST
BUILDING
BURJ DUBAI



PEGA